

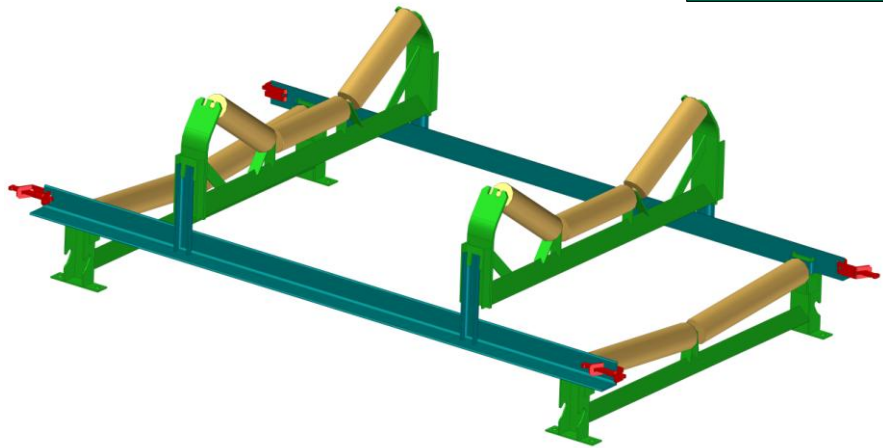
MINING MACHINES DIVISION

BELT CONVEYORS STRUCTURE

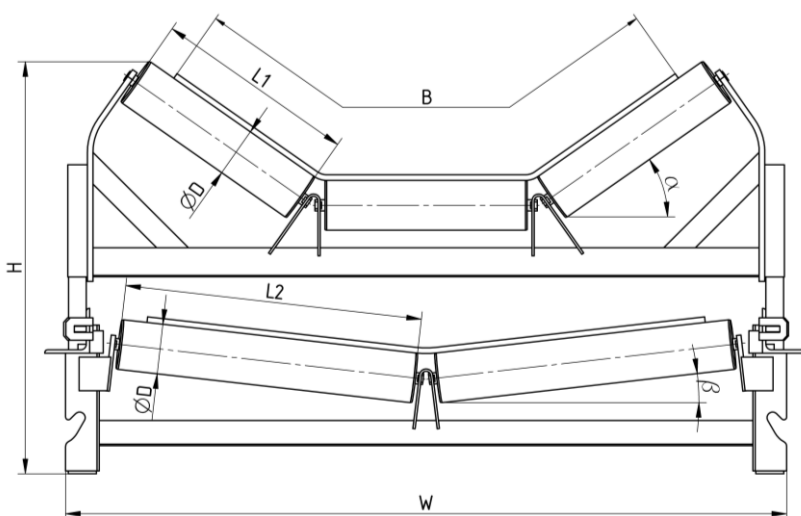


Floor-mounted structure (without bolts)

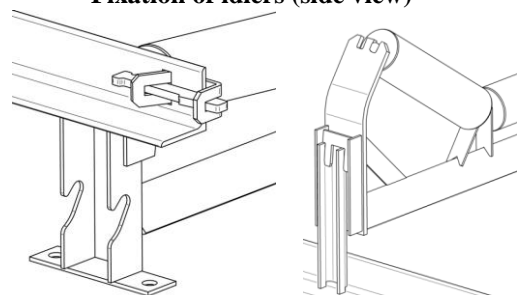
It is used for the belt width of 800 and 1000 mm and is equipped with rollers diameter 89 or 108 mm. Idlers are not connected with bolted joints and this type of structure is suitable for quick assembly or dismantling. The structure can be mounted directly on the floor or can be hung to the roof by chains.



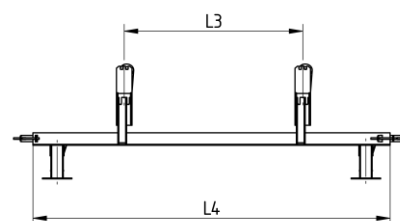
Belt width B	Roller diameter D	Carry roller length L1	Return roller length L2	Carry roller angle α	Return roller angle β	Structure height H	Structure width W	Carry idler spacing L3	Return idler spacing L4
[mm]	[mm]	[mm]	[mm]	[°]	[°]	[mm]	[mm]	[mm]	[mm]
800	89	315	465	35	8	710	1160	1150	2300
	108	315	465	35	8	720	1160		
1000	89	380	600	35	7	750	1354	1150	2300
	108	380	600	35	7	760	1354		



Fixation of idlers (side view)



Structure (side view)



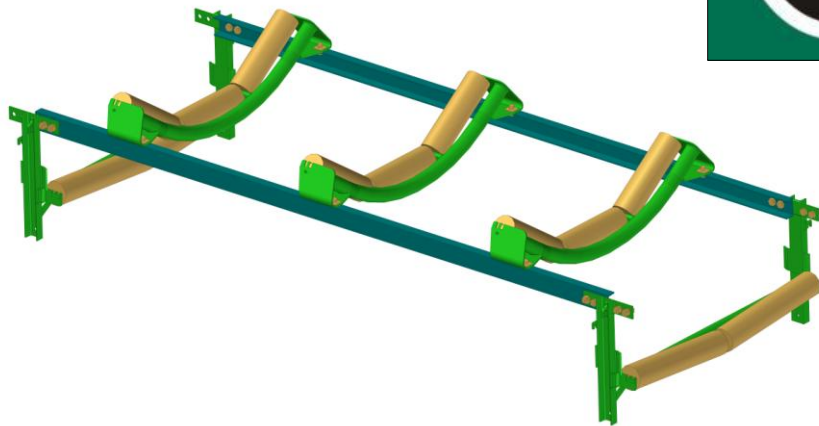
MINING MACHINES DIVISION



BELT CONVEYORS STRUCTURE

Floor-mounted structure (with bolts)

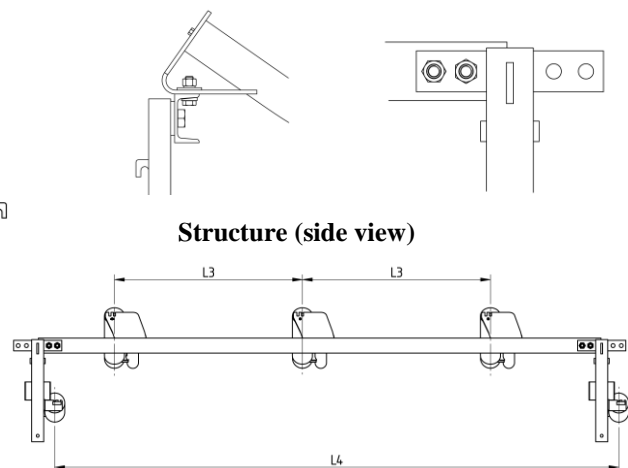
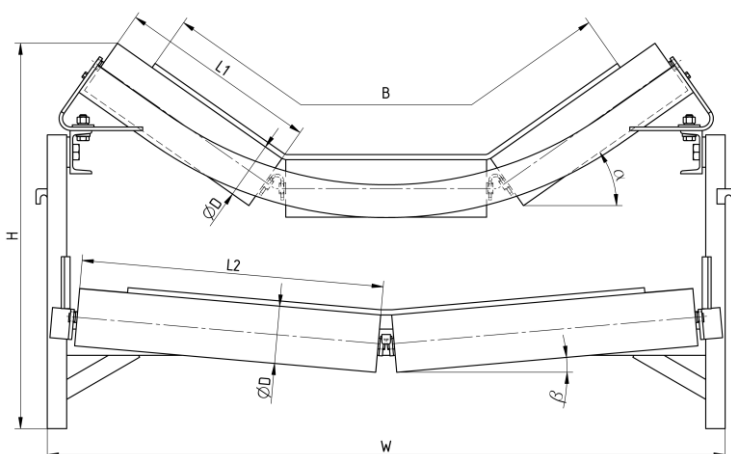
It is used for the belt width of 800, 1000, 1200, 1400 and 1600 mm and is equipped with rollers diameter 108, 133 or 159 mm. Idlers are connected with bolted joints. The structure can be mounted directly on the floor or can be hung to the roof by chains.



Belt width B	Roller diameter D	Carry roller length L1	Return roller length L2	Carry roller angle α	Return roller angle β	Structure height H	Structure width W	Carry idler spacing L3	Return idler spacing L4
[mm]	[mm]	[mm]	[mm]	[°]	[°]	[mm]	[mm]	[mm]	[mm]
800	108	315	465	30 or 35	5	800	1100	1000.....[q=2,0 t/m ³] 1250.....[q=1,5 t/m ³] 1500.....[q=1,0 t/m ³]	3000 3750
	133	315	465	30 or 35	5	810	1100		
1000	108	380	600 or 610	30 or 35	5	830	1370		
	133	380	600 or 610	30 or 35	5	840	1370		
1200	108	465	700 or 710	30 or 35	5	880	1570		
	133	465	700 or 710	30 or 35	5	890	1570		
	159	465	700 or 710	30 or 35	5	900	1570		
1400	133	530	800 or 810	30 or 35	5	930	1770		
	159	530	800 or 810	30 or 35	5	940	1770		
1600	159	600	900 or 910	30 or 35	5	980	1970		

q [t/m³]..... density of transported material

Fixation of idlers (front and side view)



Structure (side view)

OSTROJ a.s., Mining Machines Division

Těšinská 1586/66, Opava 746 41, Czech Republic

Phone: +420 553 872 230, Fax: +420 553 872 241, e-mail: miningmachine@ostroj.cz

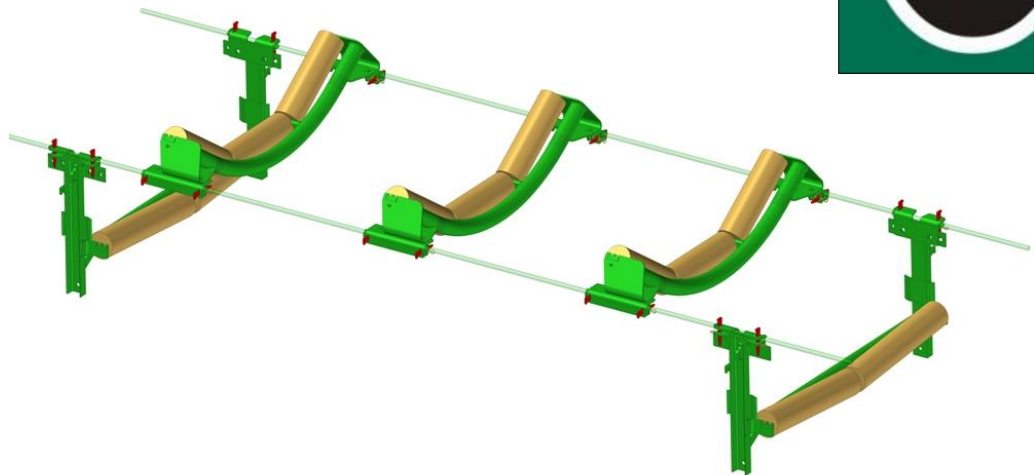
MINING MACHINES DIVISION



BELT CONVEYORS STRUCTURE

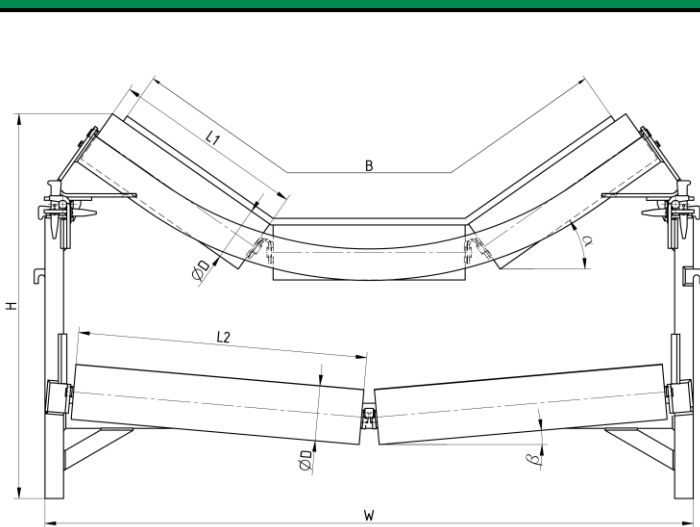
Hung structure

It is used for the belt width of 800, 1000, 1200 and 1400 mm and is equipped with rollers diameter 108 or 133 mm. Carry and Return idlers are mounted by the means of keys to longitudinal ropes. The structure is hung to the roof by chains. It is suitable for a quick assembly or dismantling.

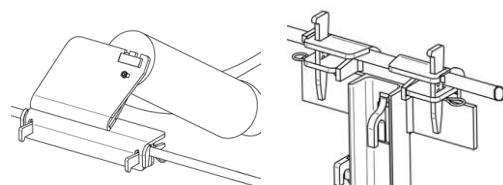


Belt width B	Roller diameter D	Carry roller length L1	Return roller length L2	Carry roller angle α	Return roller angle β	Structure height H	Structure width W	Carry idler spacing L3	Return idler spacing L4
[mm]	[mm]	[mm]	[mm]	[°]	[°]	[mm]	[mm]	[mm]	[mm]
800	108	315	465	30 or 35	5	840	1100	1000.....[$\rho=2,0$ t/m ³] 1250.....[$\rho=1,5$ t/m ³] 1500.....[$\rho=1,0$ t/m ³]	3000 3750
	133	315	465	30 or 35	5	850	1100		
1000	108	380	600 or 610	30 or 35	5	870	1370		
	133	380	600 or 610	30 or 35	5	880	1370		
1200	108	465	700 or 710	30 or 35	5	920	1570		
	133	465	700 or 710	30 or 35	5	930	1570		
1400	133	530	800 or 810	30 or 35	5	970	1770		

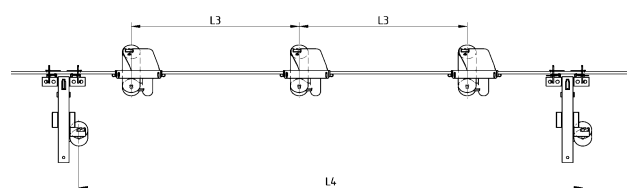
ρ [t/m³]..... density of transported material



Fixation of idlers (side view)



Structure (side view)



OSTROJ a.s., Mining Machines Division

Těšinská 1586/66, Opava 746 41, Czech Republic

Phone: +420 553 872 230, Fax: +420 553 872 241, e-mail: miningmachine@ostroj.cz