

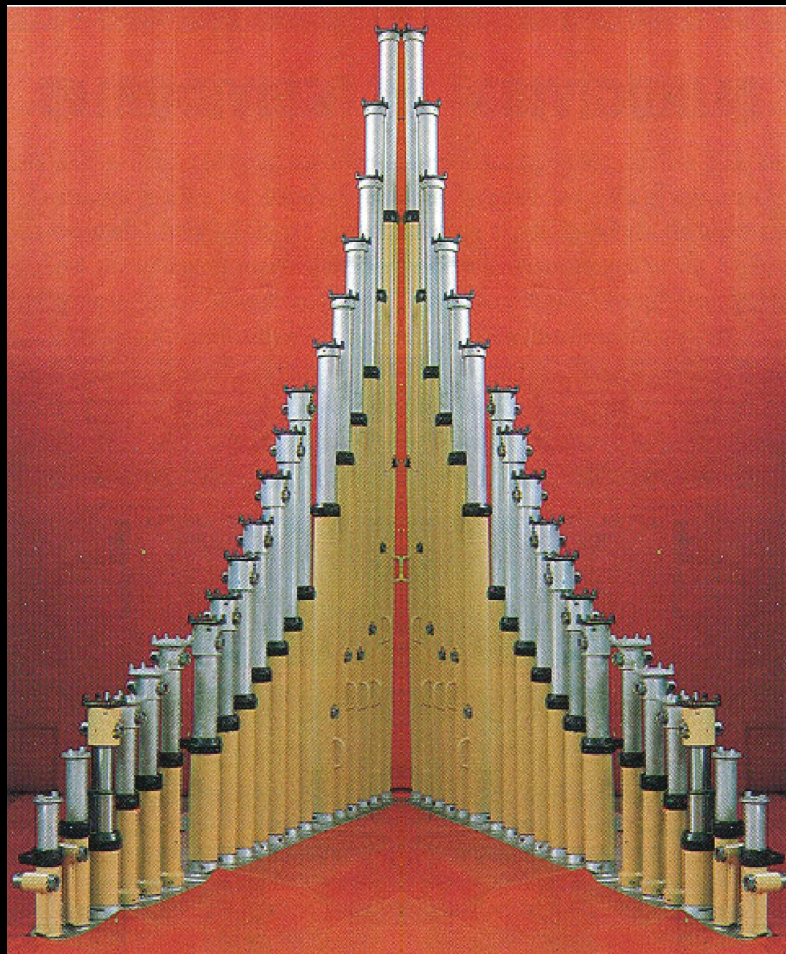
HYDRAULIC PROPS of SH and SHP TYPE

BASIC CHARACTERISTICS

Hydraulic props SH and SHP are designed for temporary roof support of worked-out space in flat to medium-dipping coal seams with hard, regularly caving overlying strata.

The props of SH type are for moderate conditions without rock bursts.

The SHP props are heavy duty units that can be used in mines prone to rock bursts.

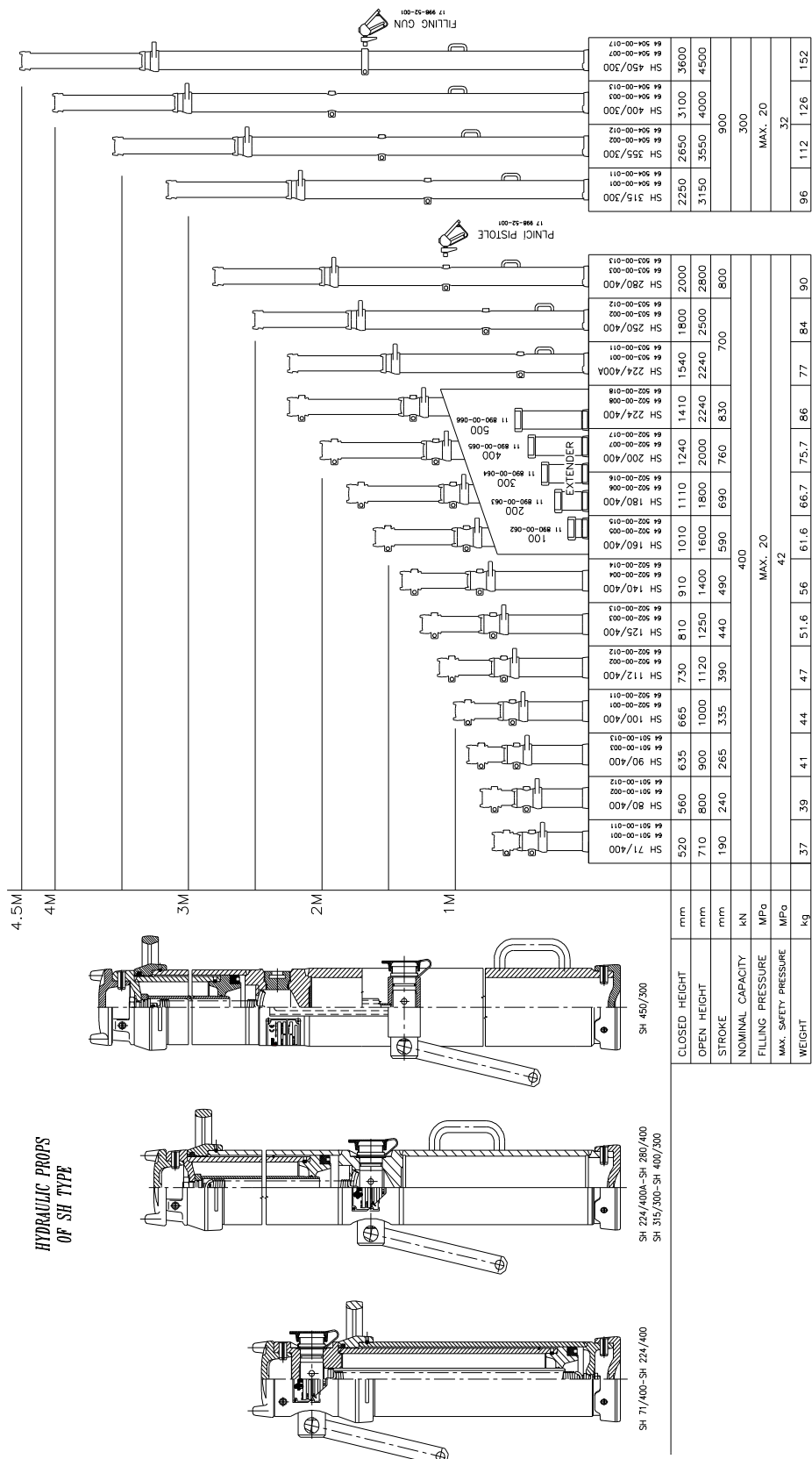


OSTROJ a.s., Mining Machines Division

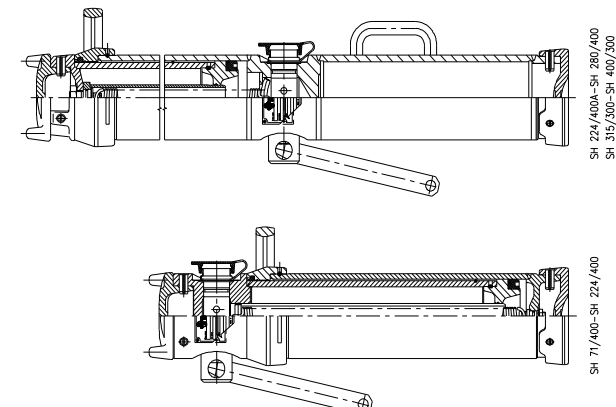
Tesinska 1586/66, Opava 746 41, Czech Republic

Phone: +420 553 872 232, Fax: +420 553 872 241, e-mail: miningmachines@ostroj.cz

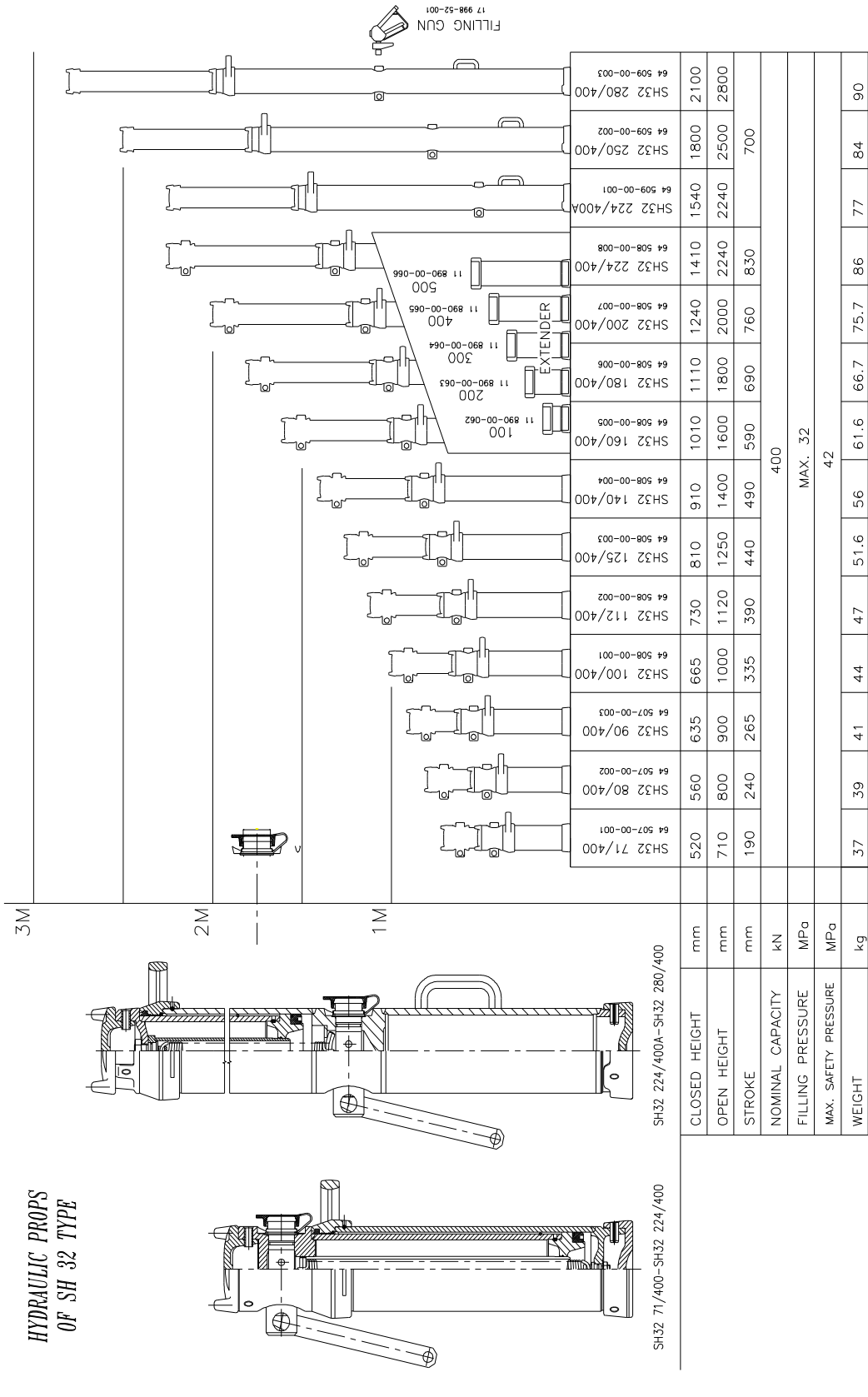
HYDRAULIC PROPS SH



HYDRAULIC PROPS OF SH TYPE



HYDRAULIC PROPS SH 32



HYDRAULIC PROPS SHP 32

